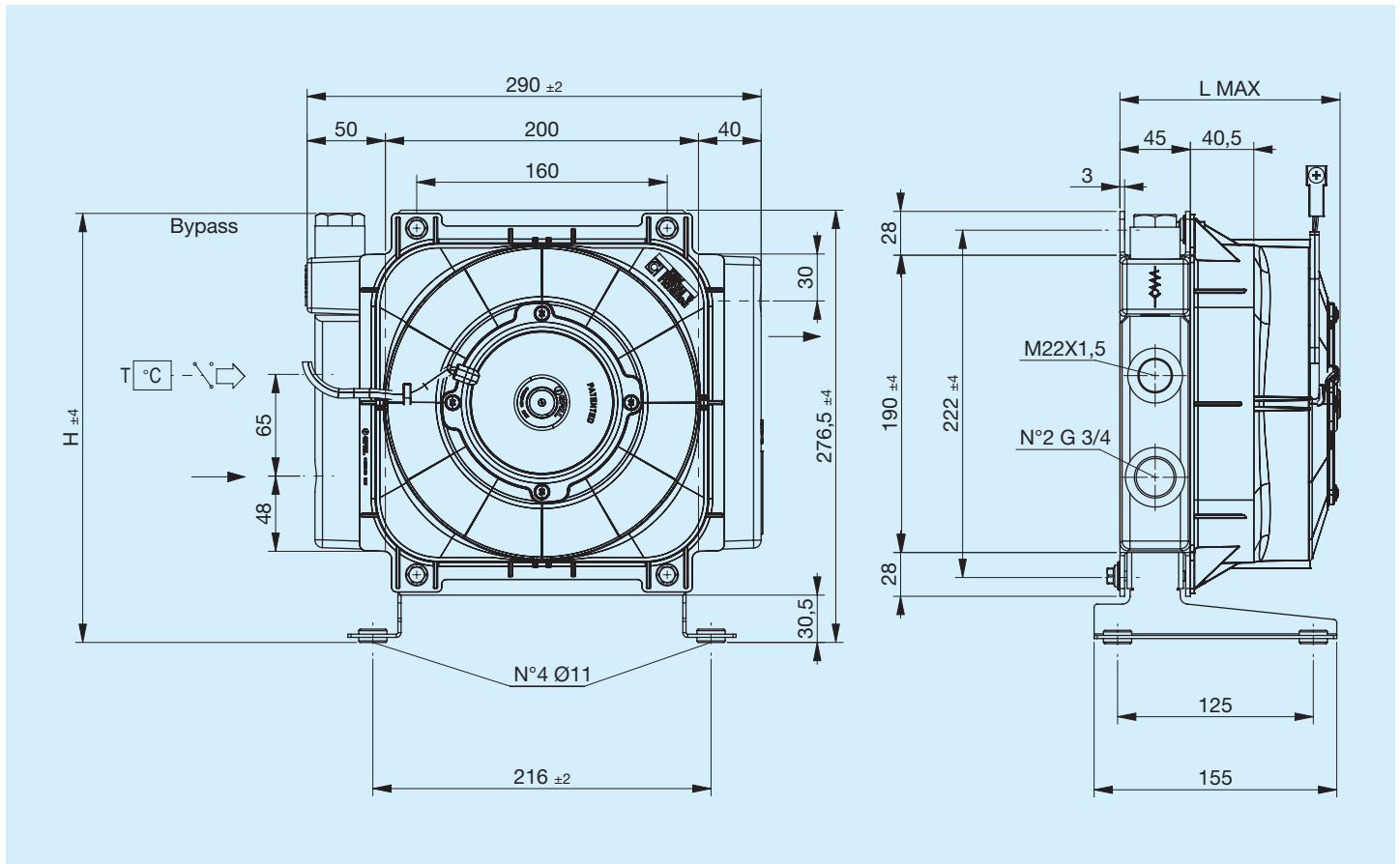


A16

398SAE001EN00

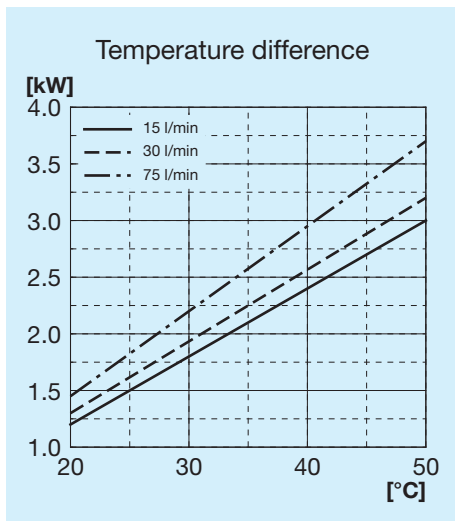


Before using the heat exchanger, carefully read the document entitled GENERAL INSTRUCTIONS FOR HEAT EXCHANGER USE.

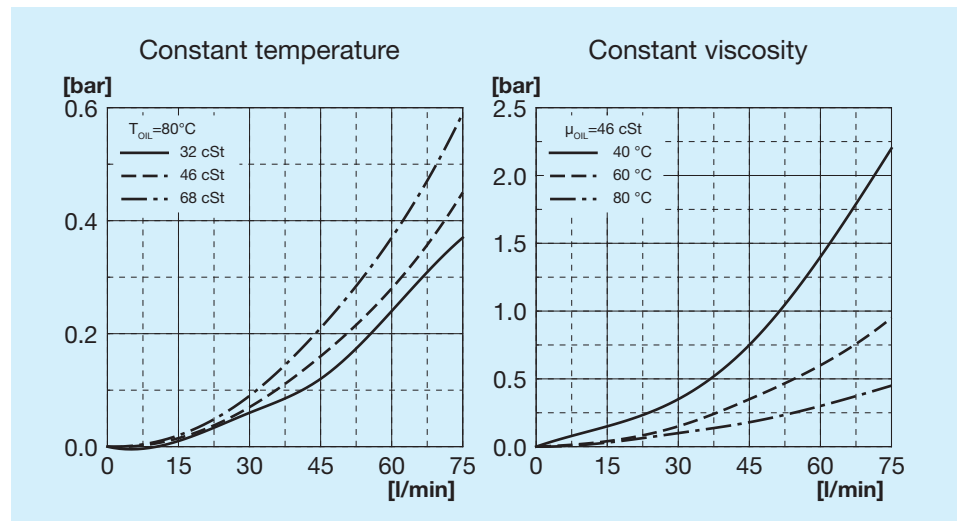


Code	Description	Ø Fan mm	Air flow m ³ /h	Voltage V	Amperage A	L Max mm	H mm	Weight Kg	Capacity l
FR633053103	A16 1EAP 12V bypass T15 V.T. 3 bar 60°C	190	740	12	7,7	145	274	3,7	1
FR633053104	A16 1ESP 12V bypass T15 V.T. 3 bar 60°C	190	740	12	7,7	145	274	3,7	1
FR633051003	A16 1EAP 12V bypass T15 VNR 4.5 bar	190	740	12	7,7	145	258	3,7	1
FR633051004	A16 1ESP 12V bypass T15 VNR 4.5 bar	190	740	12	7,7	145	258	3,7	1
FR633053113	A16 1EAP 24V bypass T15 V.T. 3 bar 60°C	190	740	24	5,5	145	274	3,7	1
FR633053114	A16 1ESP 24V bypass T15 V.T. 3 bar 60°C	190	740	24	5,5	145	274	3,7	1
FR633051013	A16 1EAP 24V bypass T15 VNR 4.5 bar	190	740	24	5,5	145	258	3,7	1
FR633051014	A16 1ESP 24V bypass T15 VNR 4.5 bar	190	740	24	5,5	145	258	3,7	1
FR633050003	A16 1EAP 12V	190	740	12	7,7	145	276,5	3,7	1
FR633050004	A16 1ESP 12V	190	740	12	7,7	145	276,5	3,7	1
FR633050013	A16 1EAP 24V	190	740	24	5,5	145	276,5	3,7	1
FR633050014	A16 1ESP 24V	190	740	24	5,5	145	276,5	3,7	1

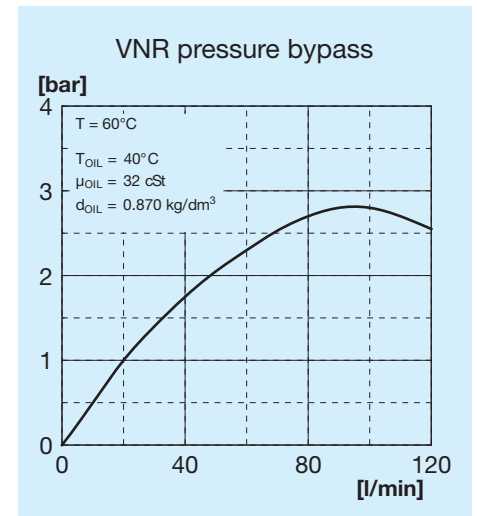
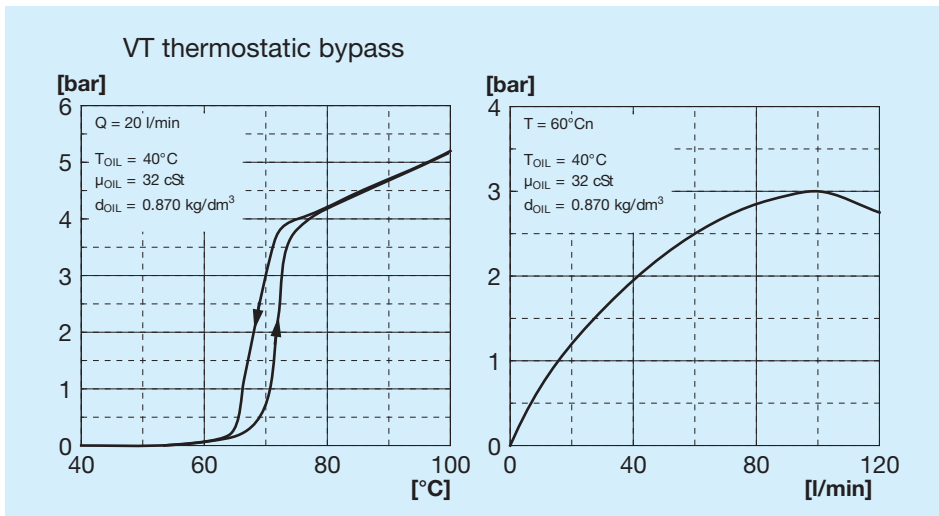
Heat exchange capacity



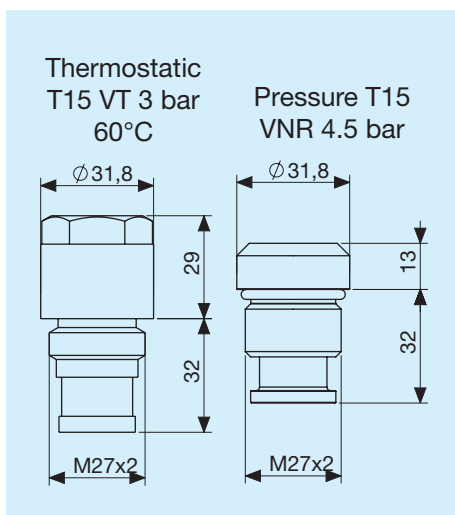
Radiator passage pressure drop



Bypass passage load loss

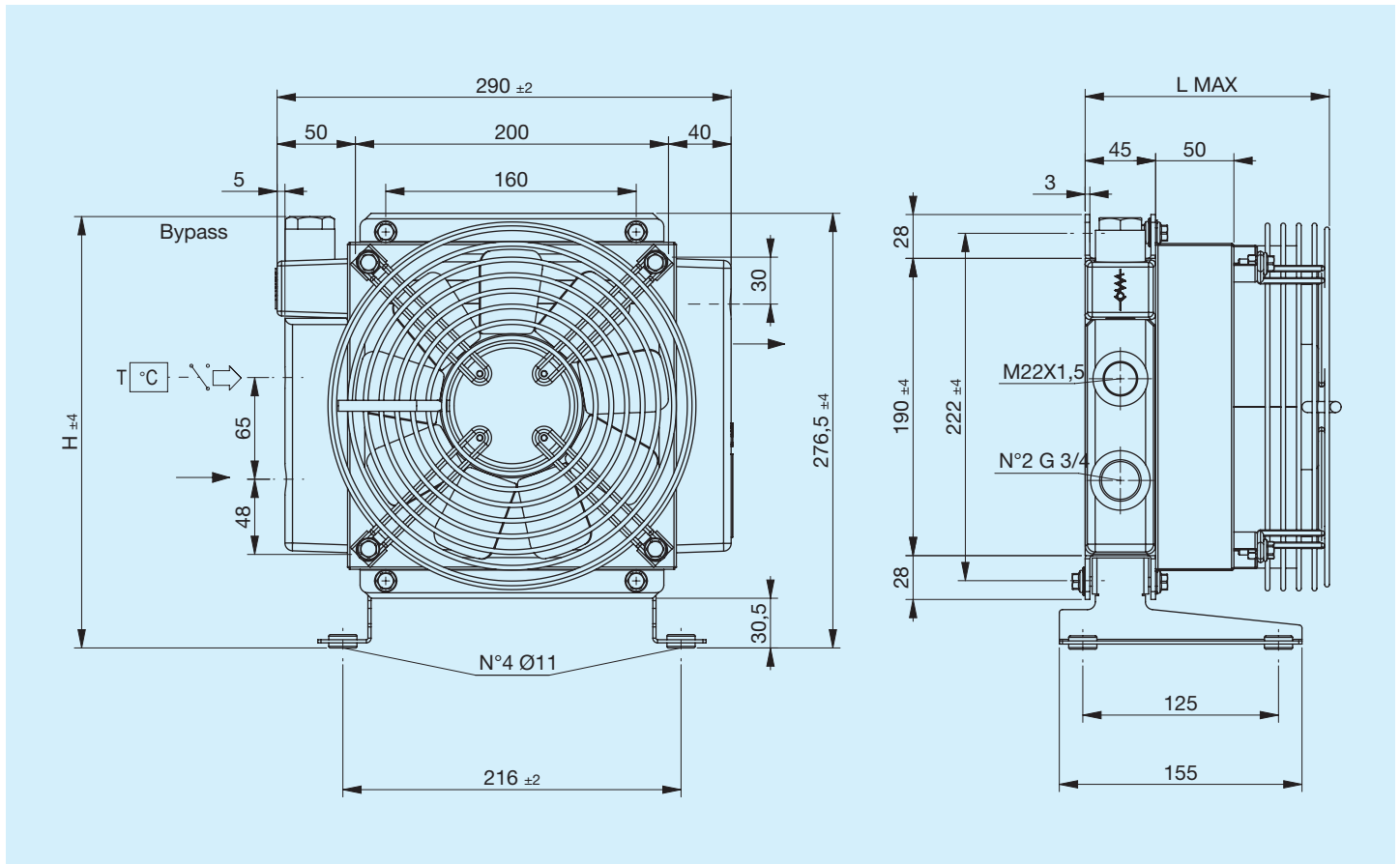


Bypass valves



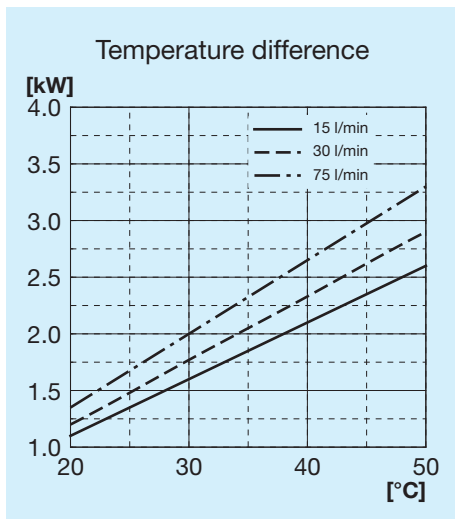
Legend

A16	Exchanger type
1E	1 Fan unit
AP	High power aspirating
SP	High power blower
AX	Extra high power aspirating
SX	Extra high power blower
12V	Fan unit voltage
24V	Fan unit voltage
T15 VT	Thermostatic bypass valve 3 bar 60°C
T15 VNR	Pressure bypass valve at 4.5 bar

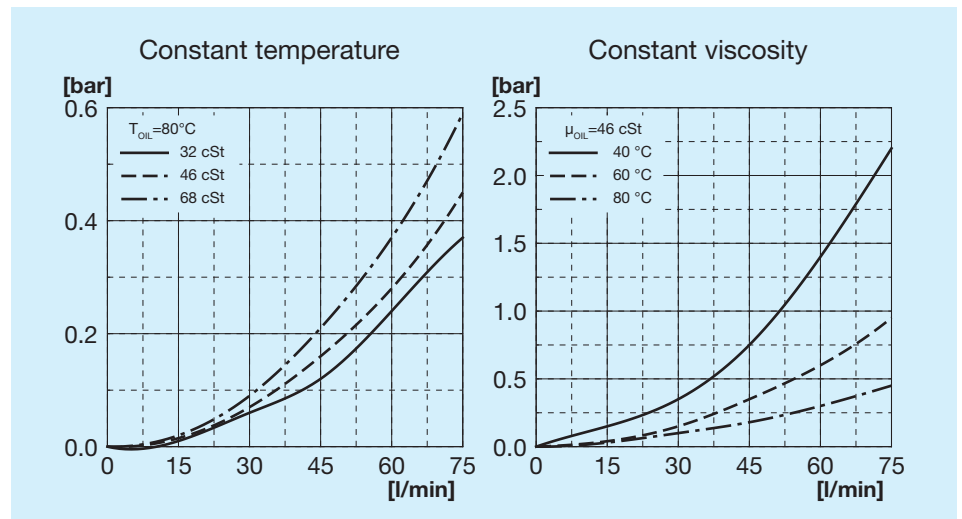


Code	Description	Ø Fan mm	Power W	Frequency Hz	Velocity min ⁻¹	IP Rating	L Max mm	H mm	Weight Kg	Capacity l
FR633053131	A16 1EA 230V bypass T15 V.T. 3 bar 60°C	200	78	50 60	2600 2900	44	156	276	3,7	1
FR633053132	A16 1ES 230V bypass T15 V.T. 3 bar 60°C	200	78	50 60	2600 2900	44	156	276	3,7	1
FR633051031	A16 1EA 230V bypass T15 VNR 4.5 bar	200	78	50 60	2600 2900	44	156	260	3,7	1
FR633051032	A16 1ES 230V bypass T15 VNR 4.5 bar	200	78	50 60	2600 2900	44	156	260	3,7	1
FR633053121	A16 1EA 400V bypass T15 V.T. 3 bar 60°C	200	70	50 60	2600 2900	44	156	276	3,7	1
FR633053122	A16 1ES 400V bypass T15 V.T. 3 bar 60°C	200	70	50 60	2600 2900	44	156	276	3,7	1
FR633051021	A16 1EA 400V bypass T15 VNR 4.5 bar	200	70	50 60	2600 2900	44	156	260	3,7	1
FR633051022	A16 1ES 400V bypass T15 VNR 4.5 bar	200	70	50 60	2600 2900	44	156	260	3,7	1
FR633050031	A16 1EA 230V	200	78	50 60	2600 2900	44	156	276,5	3,7	1
FR633050032	A16 1ES 230V	200	78	50 60	2600 2900	44	156	276,5	3,7	1
FR633050021	A16 1EA 400V	200	70	50 60	2600 2900	44	156	276,5	3,7	1
FR633050022	A16 1ES 400V	200	70	50 60	2600 2900	44	156	276,5	3,7	1

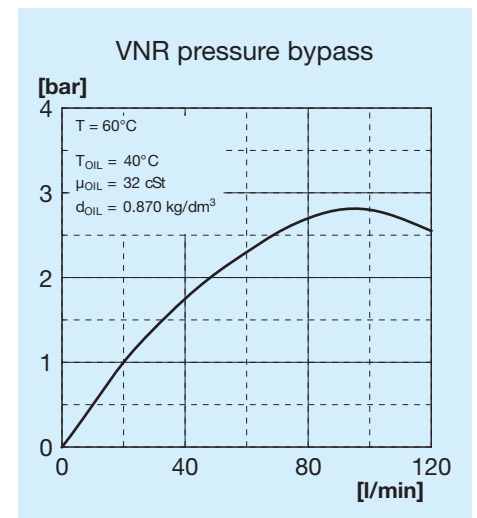
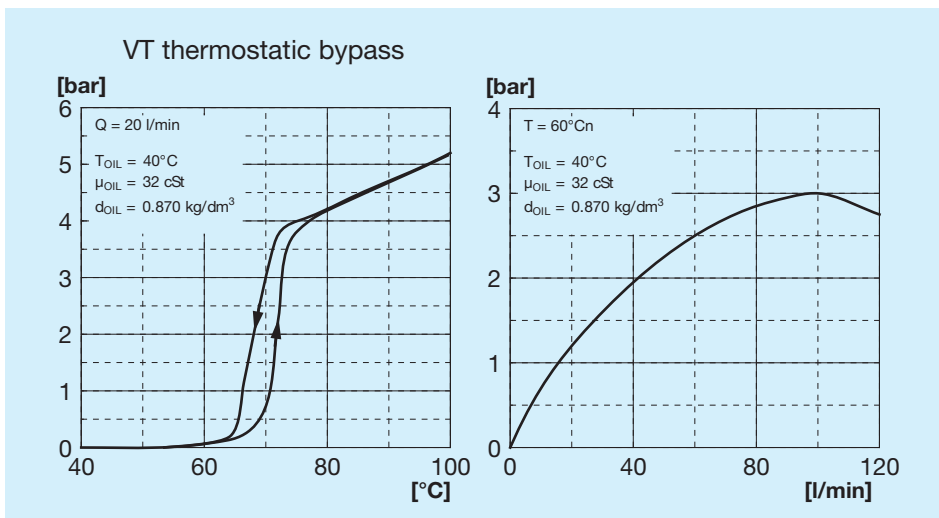
Heat exchange capacity



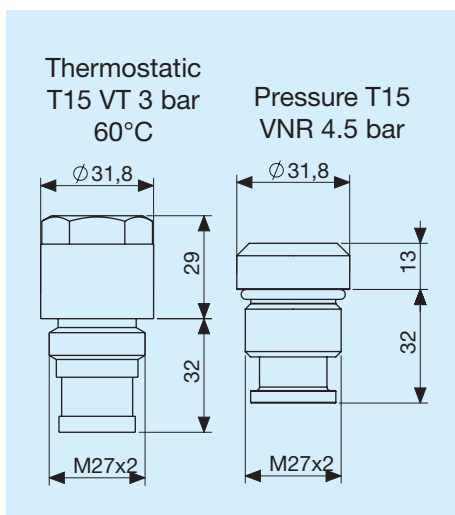
Radiator passage pressure drop



Bypass passage load loss



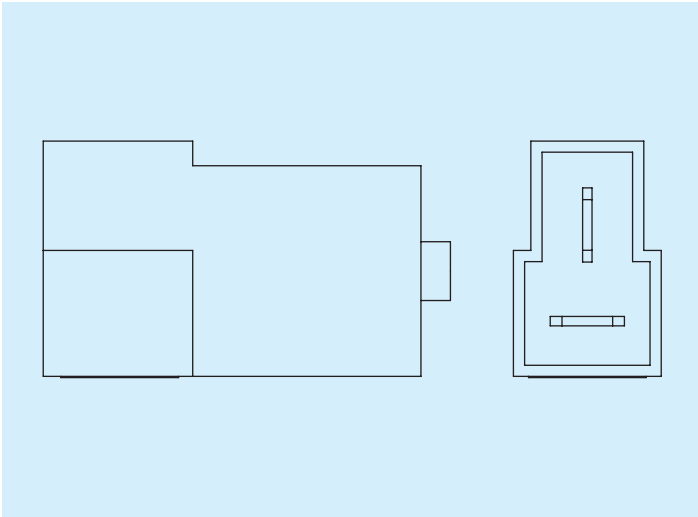
Bypass valves



Legend

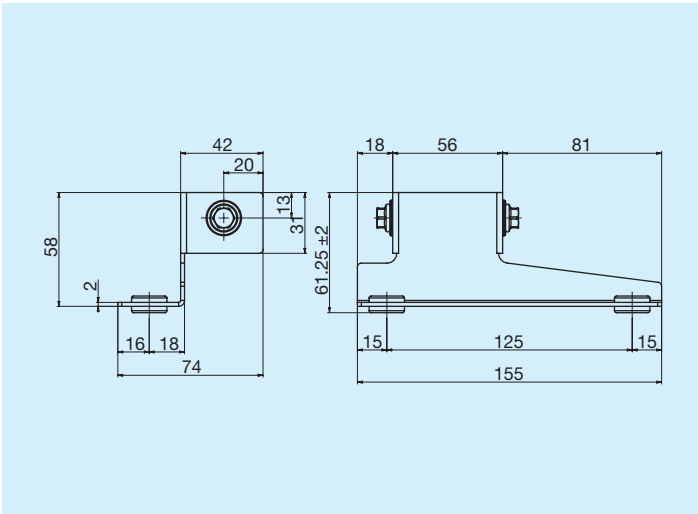
A16	Exchanger type
1E	Fan unit
AP	High power aspirating
SP	High power blower
AX	Extra high power aspirating
SX	Extra high power blower
220V	Fan unit voltage
380V	Fan unit voltage
T15 VT	Thermostatic bypass valve 3 bar 60°C
T15 VNR	Pressure bypass valve at 4.5 bar

Connector



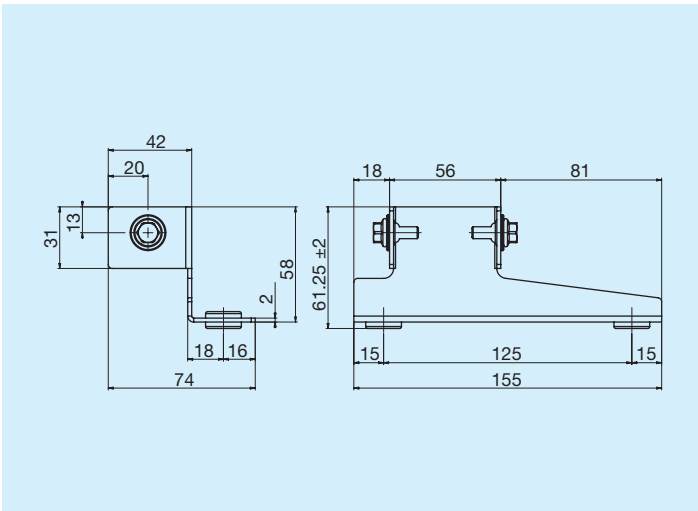
	Code
AMP connector	180908

Left supporting foot



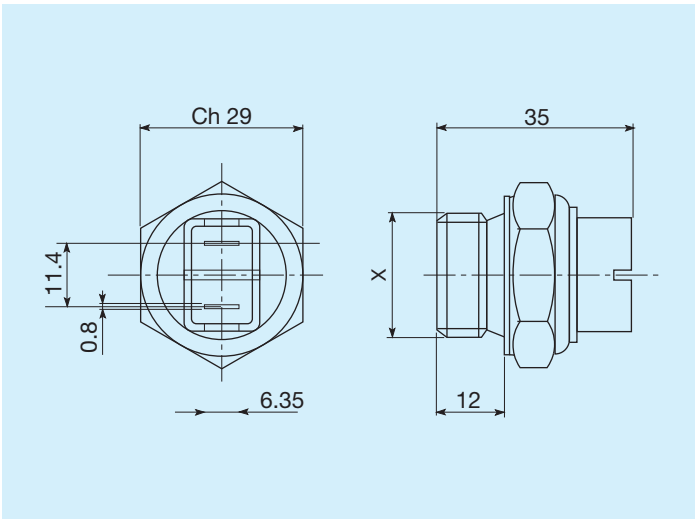
	Code
Left supporting foot	FR29000011

Right supporting foot



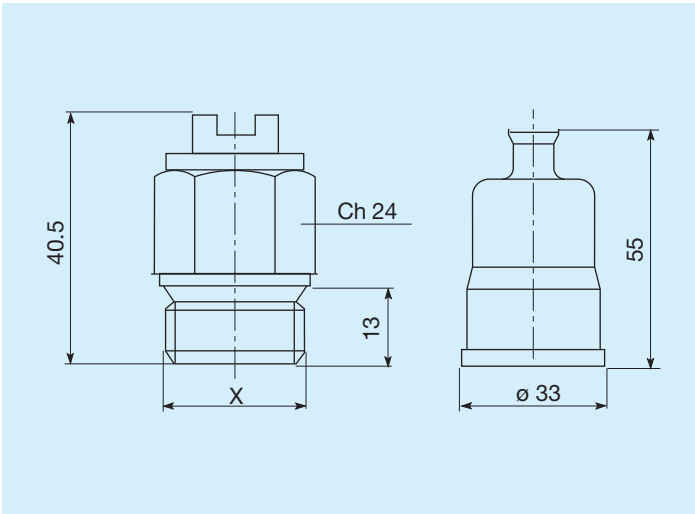
	Code
Right supporting foot	FR29000012

Thermostats



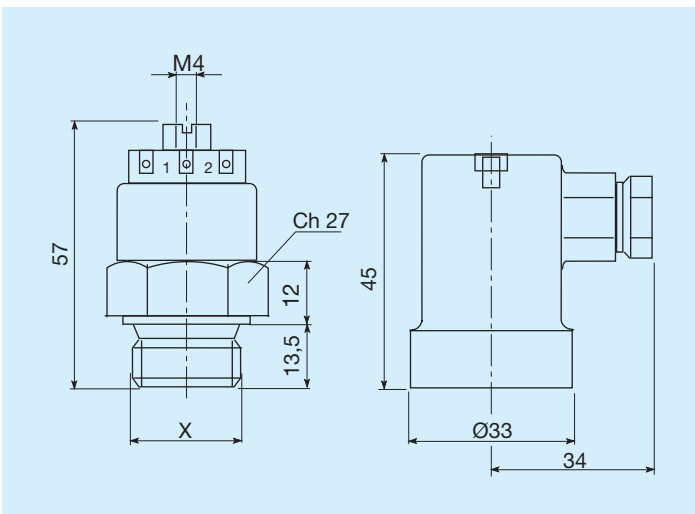
Trigger temperature °C		Code
45 - 35	M22x1.5	FR 361104535
60 - 50	M22x1.5	FR 361106050
80 - 70	M22x1.5	FR 361108070
82 - 68	M22x1.5	FR 361108268
85 - 76	M22x1.5	FR 361108576

IP54 protected thermal switch



Trigger temperature °C		Code
45 - 35	M22x1.5	FR 361124535
50 - 40	M22x1.5	FR 361125040
60 - 50	M22x1.5	FR 361126050
70 - 60	M22x1.5	FR 361127060
80 - 70	M22x1.5	FR 361128070

IP65 protected thermal switch



Trigger temperature °C		Code
45 - 35	M22x1.5	FR 361154535
47 - 36	M22x1.5	FR 361155040
60 - 50	M22x1.5	FR 361156050
80 - 70	M22x1.5	FR 361158070